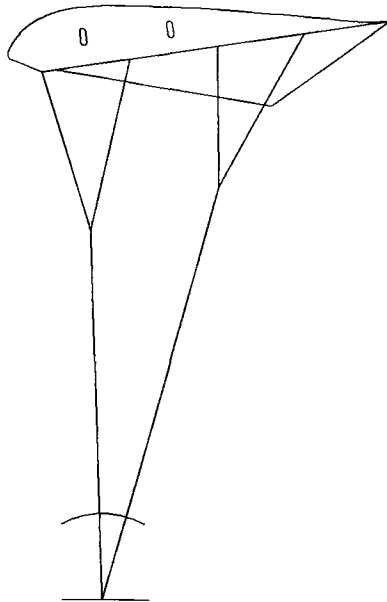


Solo 270

TRIMS - LINE SET 3 TO 8

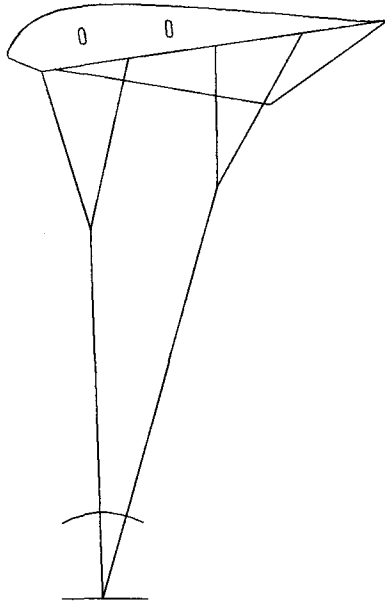
A LINE 4341
B LINE 4393 + 53
C LINE 4618 + 225
D LINE 4903 + 285



SUSPENSION LINE DETAILS

TRIMS - LINE SET 2 & 9

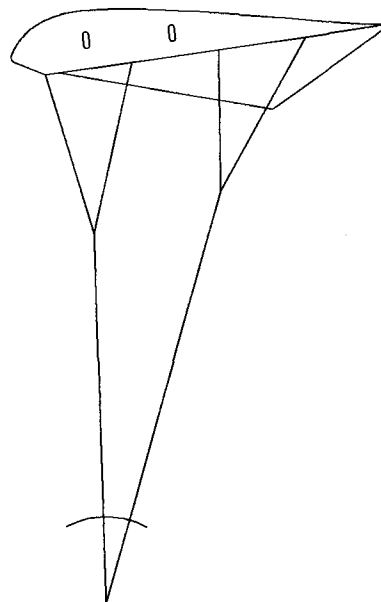
A LINE 4339
B LINE 4387 + 48
C LINE 4597 + 210
D LINE 4864 + 267



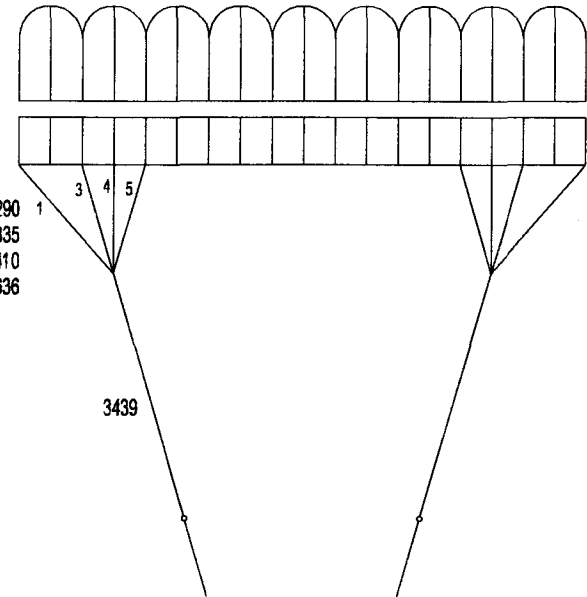
SUSPENSION LINE DETAILS

TRIMS - LINE SET 1 & 10

A LINE 4339
B LINE 4377 + 38
C LINE 4558 + 182
D LINE 4783 + 225



SUSPENSION LINE DETAILS



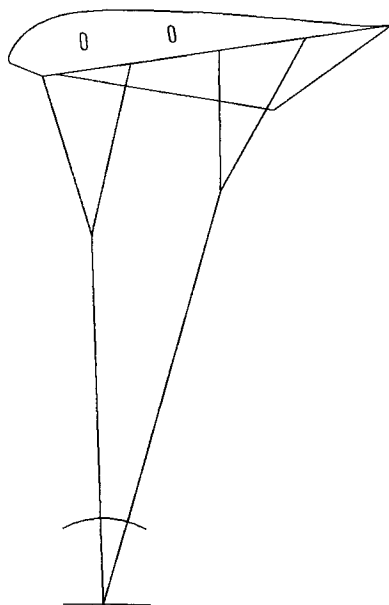
LINE 1 - 1290
LINE 3 - 1335
LINE 4 - 1410
LINE 5 - 1636

BRAKE LINE DETAILS

Solo 250

TRIMS - LINE SET 3 TO 8

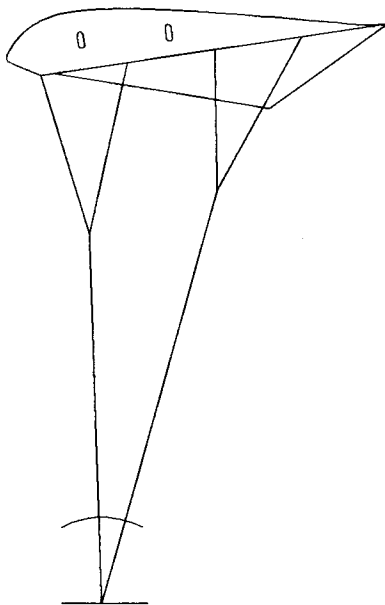
- A LINE 4156
- B LINE 4206 + 51
- C LINE 4423 + 217
- D LINE 4697 + 274



SUSPENSION LINE DETAILS

TRIMS - LINE SET 2 & 9

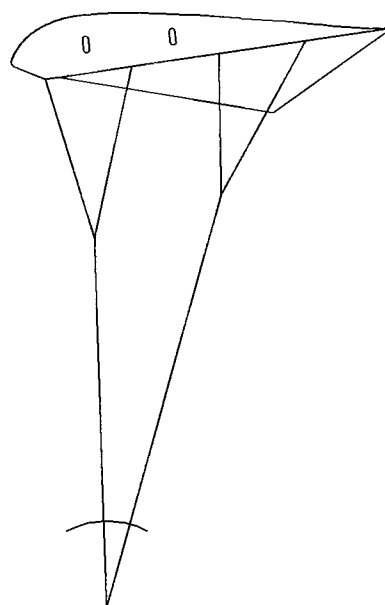
- A LINE 4154
- B LINE 4201 + 46
- C LINE 4403 + 202
- D LINE 4660 + 257



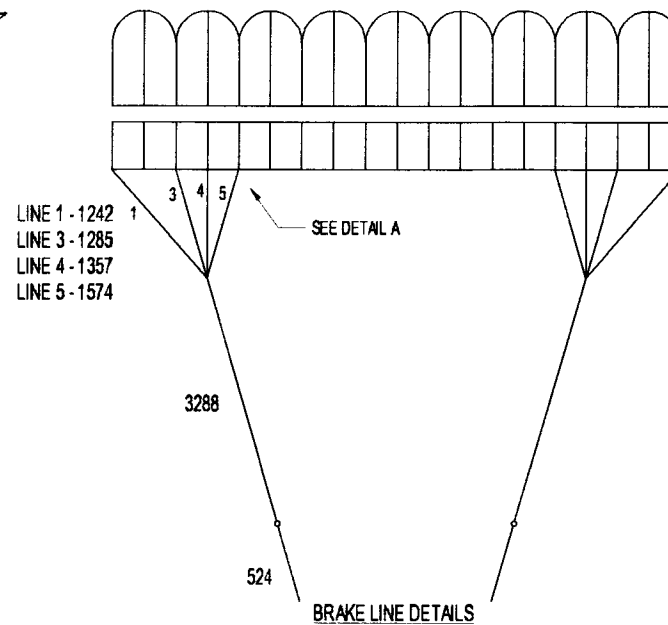
SUSPENSION LINE DETAILS

TRIMS - LINE SET 1 & 10

- A LINE 4154
- B LINE 4190 + 36
- C LINE 4365 + 175
- D LINE 4582 + 217



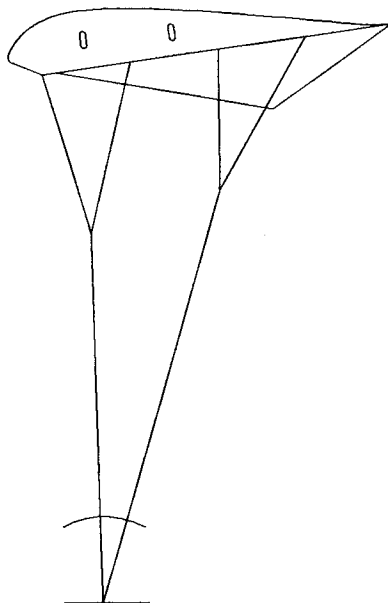
SUSPENSION LINE DETAILS



Solo 230

TRIMS - LINE SET 3 TO 8

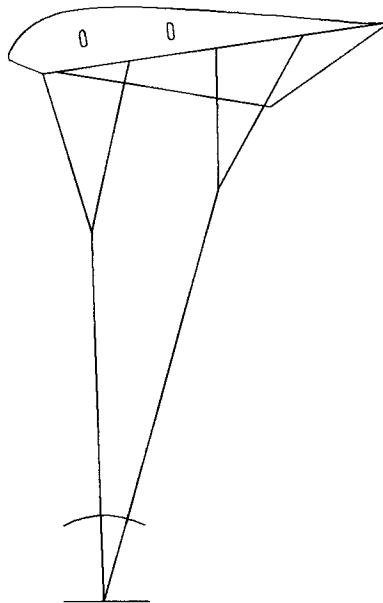
- A LINE 3963
- B LINE 4012 + 48
- C LINE 4219 + 208
- D LINE 4483 + 263



SUSPENSION LINE DETAILS

TRIMS - LINE SET 2 & 9

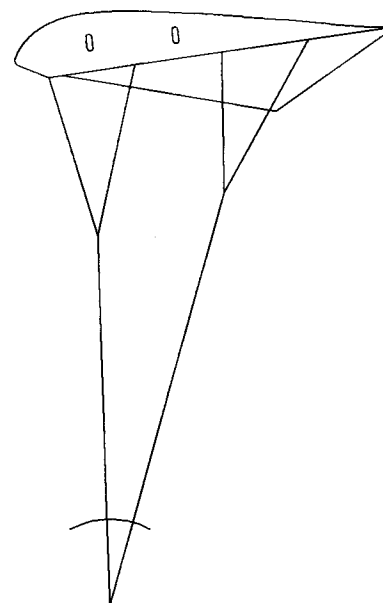
- A LINE 3962
- B LINE 4006 + 44
- C LINE 4200 + 194
- D LINE 4447 + 247



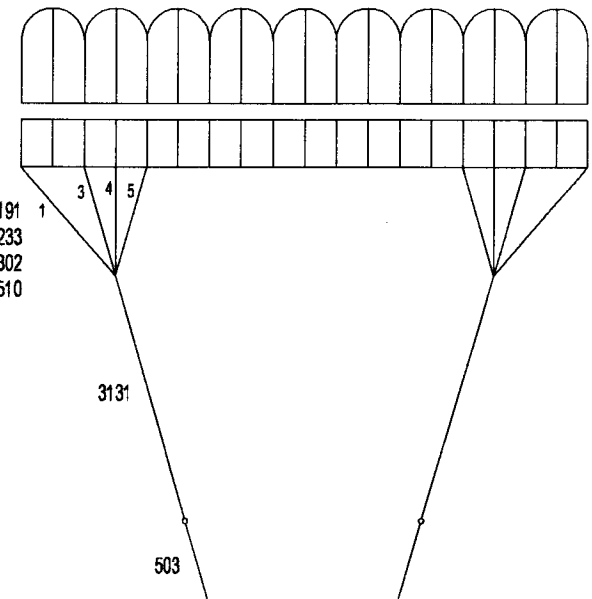
SUSPENSION LINE DETAILS

TRIMS - LINE SET 1 & 10

- A LINE 3962
- B LINE 3996 + 35
- C LINE 4164 + 168
- D LINE 4372 + 208



SUSPENSION LINE DETAILS



- LINE 1 - 1191
- LINE 3 - 1233
- LINE 4 - 1302
- LINE 5 - 1510

BRAKE LINE DETAILS