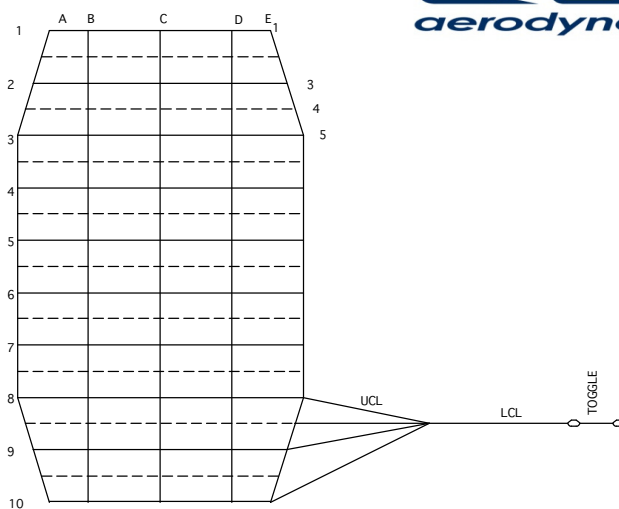
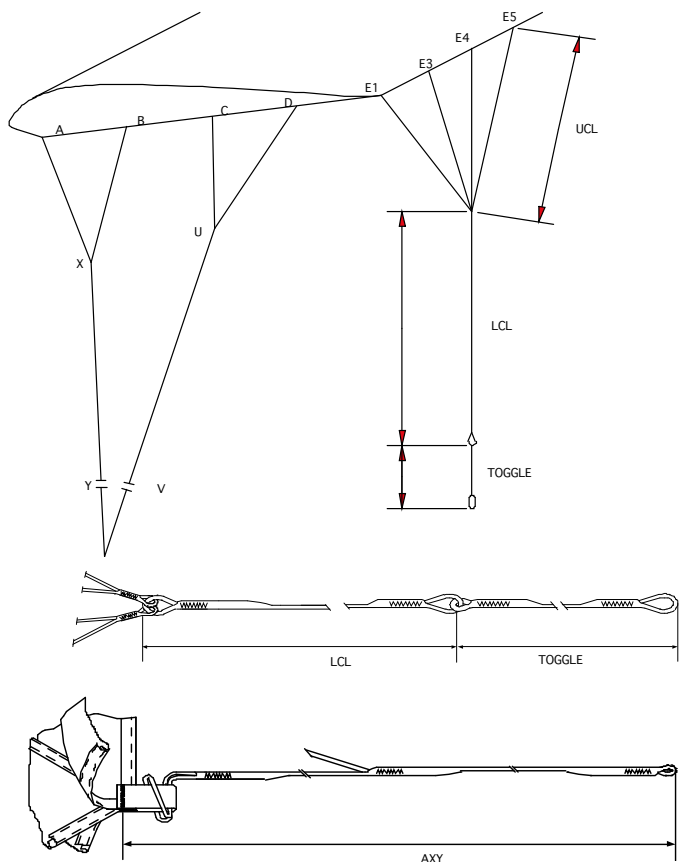


ZULU



ENSURE LOOPS ARE HELD EVENLY AND SECURELY. EACH LINE TO BE LOADED TO 4.5KG DURING MEASUREMENT. MEASURE THE DEPLOYMENT BRAKE SETTING WITH THE TOGGLES STOWED. MEASURE THE FULL FLIGHT SETTING WITH THE TOGGLES UNSTOWED.

MEASURE FROM END OF SUSPENSION LINE LOOP TO BARTACK ON SUSPENSION LINE ATTACHMENT TAB.

Canopy	102	112	122	132	152
AXY1	2250	2410	2535	2660	2920
A1-B1	35	40	35	40	30
A1-C1	140	140	140	150	160
A1-D1	270	280	285	300	320
AXY2	2250	2410	2535	2660	2920
A2-B2	40	40	40	40	40
A2-C2	160	165	170	170	190
A2-D2	315	330	340	350	380
AXY3	2250	2410	2535	2660	2920
A3-B3	40	40	40	40	40
A3-C3	170	170	180	185	200
A3-D3	340	350	365	375	405
LCL	1780	1860	2010	2090	2225
TOGGLE	355	380	390	400	430
ULC1	775	820	820	850	960
UCL3	820	870	850	880	1000
UCL4	860	910	895	930	1060
UCL5	975	1070	1090	1050	1150

All dimensions in mm

VER 0.1